

Third Party Listings

UL 355 - UL Standard for Safety Cord Reels

UL Listing means that **UL** has tested representative samples of a product and determined that the product meets specific, defined requirements. These requirements are often based on **UL's** published and nationally recognized Standards for Safety.

- UL tests the product and the manufacturing facility to certify that the product is safe if used as intended
- Recognized as the standard worldwide
- Mitigates insurance liability



CSA - C22.2 NO. 21-95 - Cord Sets & Power Supply Cords

CSA International certification marks indicate that a product, process or service has been tested to a Canadian or U.S. standard and it meets the requirements of an applicable **CSA** standard or another recognized document used as a basis for certification.

- Similar to UL, but preferred in some instances



Series L 3000 Cord Reels

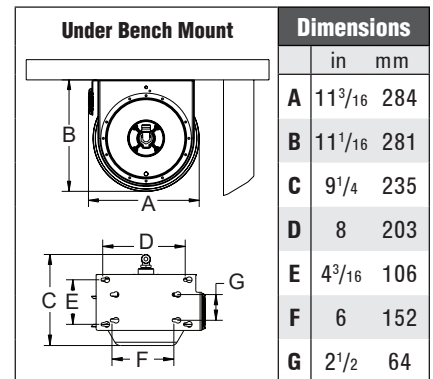
- Ultra-compact for a wide range of bench mount or mobile applications with critical space requirements
- Easily fit within a 1 ft. x 1 ft. space
- Multiple slotted mounting holes to accommodate many configurations



S602805 - Optional guide arm accessory; refer to online tech bulletin for installation instructions

| Model w/ cord & bumper | Cord Ending | Cord Specifications | | | | | | Volts | Amps | Weight | |
|------------------------|--|---------------------|-----------------|--------|----|---|-------|-------|------|--------|-----|
| | | AWG | mm ² | # Cond | ft | m | Type* | | | lbs | kg |
| L 3030 123 3 | Single receptacle NEMA 5-15R, Inlet straight blade plug NEMA 5-15P | 12 | 3.32 | 3 | 30 | 9 | SJTO | 125 | 15 | 23 | 10 |
| L 3030 123 7Q | Quad box outlet NEMA 5-20R, Inlet straight blade plug NEMA 5-20P | 12 | 3.32 | 3 | 30 | 9 | SJTO | 125 | 20 | 25 | 11 |
| L 3030 123 X | Flying Lead both ends | 12 | 3.32 | 3 | 30 | 9 | SJTO | 125 | 20 | 24 | 11 |
| S602805 | Optional guide arm accessory for multiple adjustment positions | | | | | | | | | 1.1 | 0.5 |

For indoor non-weathertight applications only. All models UL listed at 125 Volt 60 HZ single phase. Models supplied with 4 ft. inlet cord. *Cord type designation shows all combinations of cord types that may be used, only UL approved cord types will be used.



Triple Tap Power Cord Reels

Models with a ★ icon are our most popular models.

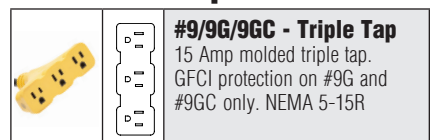


| Model w/ cord & bumper | Cord Ending | Cord Specifications | | | | | | Volts | Amps | Shipping Weight | | Size Index # |
|------------------------|---|---------------------|-----------------|--------|-----|----|---------|-------|------|-----------------|----|--------------|
| | | AWG | mm ² | # Cond | ft | m | Type*** | | | lbs | kg | |
| L 4050 163 9 | Triple tap outlet NEMA 5-15R, Inlet straight blade plug NEMA 5-15P | 16 | 1.33 | 3 | 50 | 15 | SJEOOW | 125 | 13 | 26 | 12 | 1 |
| L 4545 123 9 ★ | | 12 | 3.32 | 3 | 45 | 14 | SJEOOW | 125 | 15 | 28 | 13 | 1 |
| L 70075 123 9 | | 12 | 3.32 | 3 | 75 | 23 | SE00W | 125 | 15 | 71 | 32 | 5 |
| L 70100 123 9 | | 12 | 3.32 | 3 | 100 | 30 | SE00W | 125 | 15 | 75 | 34 | 5 |
| L 4545 123 9G ★ | Triple tap outlet w/ GFCI* NEMA 5-15R, Inlet straight blade plug NEMA 5-15P | 12 | 3.32 | 3 | 45 | 14 | SJEOOW | 125 | 15 | 29 | 13 | 1 |
| LS 5445 123 9G** | | 12 | 3.32 | 3 | 45 | 14 | SJEOOW | 125 | 15 | 33 | 15 | 2 |
| L 70100 123 9G | | 12 | 3.32 | 3 | 100 | 30 | SE00W | 125 | 15 | 76 | 34 | 5 |
| L 4545 123 9GC | Triple tap outlet w/ GFCI* NEMA 5-15R Inlet twist lock plug NEMA L5-15P | 12 | 3.32 | 3 | 45 | 14 | SJEOOW | 125 | 15 | 29 | 13 | 1 |

For indoor non-weathertight applications only. All models UL listed at 125 Volt 60 HZ single phase. Swing brackets or pivot bases should be used if cords are pulled at more than 45°, see page 39. *The GFCI Receptacle is designed to protect from line-to-ground shock hazards. It does not protect against short circuits or overloads; this is the function of the fuse or circuit breaker. **Series LS model is 304L stainless steel. ***Cord type designation shows all combinations of cord types that may be used, only UL approved cord types will be used.



Cord End Specifications



Refer to page 30 for dimensional drawings.